

# U BLOCK

PAL30U | PAL36U

## 30 cm or 36 cm U block

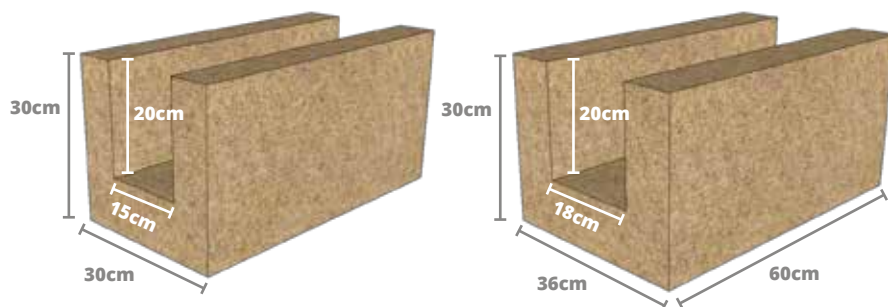
The U Block is a 30cm hempcrete block with a horizontal groove to be used to make a reinforced, concrete beam belt all around the building. It is used in the IsoHemp Hempro construction system to achieve an all-round wall insulation using only hempcrete blocks. It is used in conjunction with pre-drilled blocks to create a consistent construction look.



### › ADVANTAGES

- ✓ Homogeneity of the wall
- ✓ Economical solution
- ✓ Summer and winter comfort
- ✓ Open to water vapour diffusion

Technical characteristics	U Blocks		Unit
	30	36	
Thickness	30	36	cm
Modular dimensions	60x30		cm
Maximum block weight	15,3	18,3	kg
Diameter of the recess	15 x 20	18 x 20	cm
Cross-section of the recess	300	360	cm <sup>2</sup>
Adhesive consumption	10	12	kg/m <sup>2</sup>



### › FIELDS OF APPLICATION



#### NEW BUILD

It is ideal for new builds with the IsoHemp Hempro system. It is used alongside the drilled block and the 30cm block to create a consistent new build look using only IsoHemp hempcrete blocks. The Hempro system provides the isolation needed to achieve low energy, very low energy and passive house standards.

Packaging	Value		Unit
	PAL30U	PAL36U	
Dimensions of a pallet	120 x 100 x 145	120 x 100 x 125	cm
Maximum weight of a pallet	400	400	kg
Number of blocks per pallet	24	18	blocks/pallet
Number of m <sup>2</sup> per pallet	4,32	3,24	m <sup>2</sup> /pallet
Number of blocks per m <sup>2</sup>	5,5	5,5	blocks/m <sup>2</sup>
Storage	3	3	months/exterior
Storage life	2	2	years if covered